



Online Data Sheet

Encoder WDG 58R BiSS

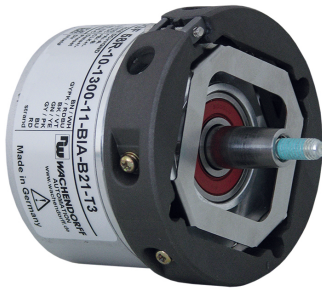
www.wachendorff-automation.com/wdgf58rbiss

Wachendorff Automation

... systems and encoders

- Complete systems
- Industrial rugged encoders to suit your application
- Standard range and customer versions
- Maximum permissible loads
- 48-hour express production
- Made in Germany
- Worldwide distributor network

Motorfeedback WDG 58R BiSS-C



- Highest precision in highly dynamic movement
- Interface: BiSS-C
- Singleturn max. 19 Bit and 1 Vss 2048 sin/cos (optional 512, 1024)
- Electronic ID label
- 2-colour-LED as indicator for operating condition and error message

www.wachendorff-automation.com/wdg58rbiss

Mechanical Data

Housing

Flange	stator coupling
Flange material	aluminum
Housing cap	aluminum
Housing	Ø 58 mm

Shaft(s)

Starting torque	approx. 1 Ncm at ambient temperature
Shaft	Ø Conus 1/10; 9.25 mm
Shaft length	L: 16.5 mm
Max. Permissible shaft loading radial	80 N
Max. Permissible shaft loading axial	60 N

Bearings

Bearings type	2 precision ball bearings
Nominal service life	1 x 10 ⁹ revs. at 100 % rated shaft load 1 x 10 ¹⁰ revs. at 40 % rated shaft load 1 x 10 ¹¹ revs. at 20 % rated shaft load
Max. operating speed	12000 rpm

Electrical Data

Power supply/Current consumption	3.5 VDC up to 30 VDC: typ. 160 mA
Power consumption	max. 0.6 W
Power supply/Current consumption	4,75 VDC up to 5,5 VDC: typ. 80 mA
Power consumption	max. 0.6 W
Output circuit	1 Vpp sin/cos
Pulse frequency	1 Vpp sin/cos: max. 400 kHz (-3 dB)
Channels	AB

Sensor data

Single-turn technology	optical
Single-turn resolution	max. 524,288 steps/360° (19 bit)
1 Vpp resolution	2048 sin/cos (512, 1024 optional)
Channels output	AB
Limit frequency (-3dB)	400 kHz

Environmental data

ESD (DIN EN 61000-4-2):	8 kV
Burst (DIN EN 61000-4-4):	2 kV

includes EMC:	DIN EN 61000-6-2 DIN EN 61000-6-3
Vibration: (DIN EN 60068-2-6)	50 m/s ² (10 Hz up to 2000 Hz)
Shock: (DIN EN 60068-2-27)	1000 m/s ² (6 ms)
Design:	according DIN VDE 0160

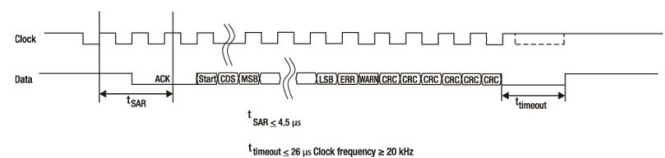
Duty information

Customs tariff number:	90318020
Country of origin:	Germany

Interface

Interface:	BiSS-C (www.biss-interface.com)
Clk (Clock input):	via opto-coupler
Clk-/Clock frequency:	20 kHz up to 10 MHz
Data output:	RS485
Output code:	gray or binary
BiSS-C protocol:	position + Error-/Warnbit + CRC 6 Bit
CRC-Polynomial:	x ⁶ + x ¹ +1 (0x43)
Positive direction of counting (View on shaft):	cw
Set to zero:	configurable via BiSS-C

Transmission Protocol BiSS-C



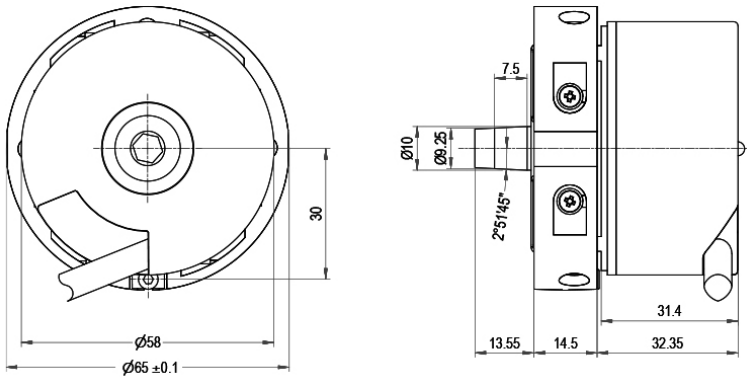
General Data

Weight	approx. 279 g
Connections	cable output, 2 m, tangential
Protection rating (EN 60529)	Housing: IP65, IP67; shaft sealed: IP65
Operating temperature	-40 °C up to +115 °C
Storage temperature	-40 °C up to +115 °C

More Information

General technical data and safety instructions
<http://www.wachendorff-automation.com/gtd>

Options
<http://www.wachendorff-automation.com/acc>

Cable outlet tangential, 2 m, T3

Description

T3 tangential, flex

Assignments	
	T3
A+	GYPK
A-	RDBU
B+	BK
B-	VT
Data+	GY
Data-	PK
CLK+	GN
CLK-	YE
(+) Vcc	BN
GND	WH
Shield	flex
SET	BU
DIR	RD

Options

Cable length

The encoder WDF 58M BiSS can be supplied with more than 2 m cable.
Please extend the standard order code with a three figure number, specifying the cable length in decimetres.
5 m cable = 050
10 m cable = 100

Order key

XXX = Decimeter

Example Order No.	Type	Your encoder
WDGF 58R	WDGF 58R	WDGF 58R
	Shaft	Order key
10	Ø Conus 1/10; 9.25 mm	10
	Single-turn Resolution	Order key
13	9 bit up to 19 bit (EG: 13 Bit = 13)	13
	Multi-turn Resolution	Order key
00	No Multi-turn = 00	00
	Sinus per revolution 1Vpp	Order key
11	2048	11
	512 (optional)	9
	1024 (optional)	10
	Data protocol	Order key
BI	BiSS	BI
	Software	Order key
A	up to date release	A
	Code	Order key
B	binary	B
	gray	G
	Power supply	Order key
2	3,5 V up to 30 V (standard)	2
	4.75 V up to 5.5 V	1
	Galvanic isolation	Order key
1	yes	1
	no	0
	Electrical connections	Order key
T3	Cable:	
	tangential, flex, with 2 m cable, IP67	T3
	Options	Order key
	Without option	Empty
	Cable length	XXX = Decimeter

Example Order No.	WDGF 58R	10	13	00	11	BI	A	B	2	1	T3	
--------------------------	----------	----	----	----	----	----	---	---	---	---	----	--

WDGF 58R												Example Order No.
----------	--	--	--	--	--	--	--	--	--	--	--	--------------------------



For further information please contact our local distributor.
Here you find a list of our distributors worldwide.
<https://www.wachendorff-automation.com/contact-sales-en/>



Wachendorff Automation GmbH & Co. KG
Industriestrasse 7 • 65366 Geisenheim
Germany

Phone: +49 67 22 / 99 65 25
E-Mail: wdg@wachendorff.de
www.wachendorff-automation.de

